



MIRANTIS

Pure Play **OpenStack**[®]

2016.02.18

Troubleshooting RabbitMQ

Fabrizio Soppelsa
Escalations engineer

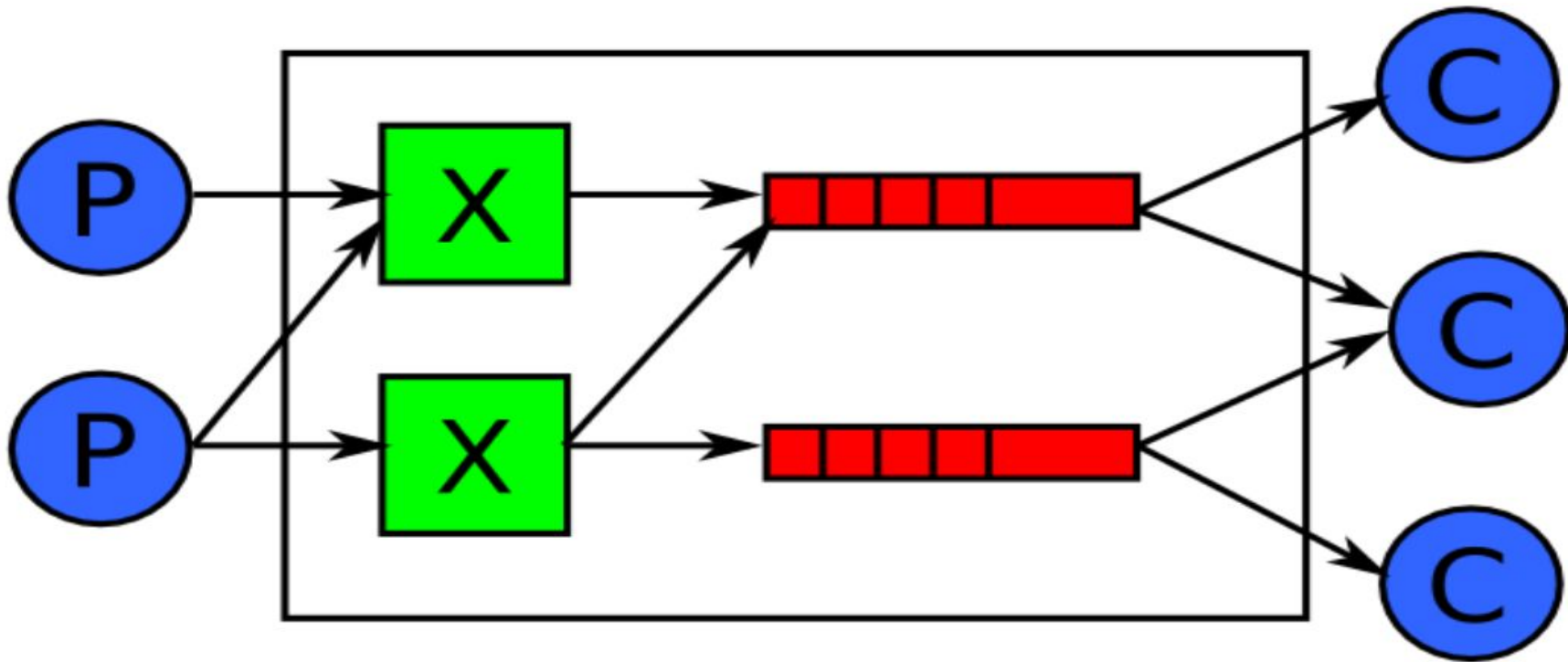
www.mirantis.com

- Queues and AQMP
- Rabbit operations
- Rabbit under pacemaker
- Some cases
- Q&A&D

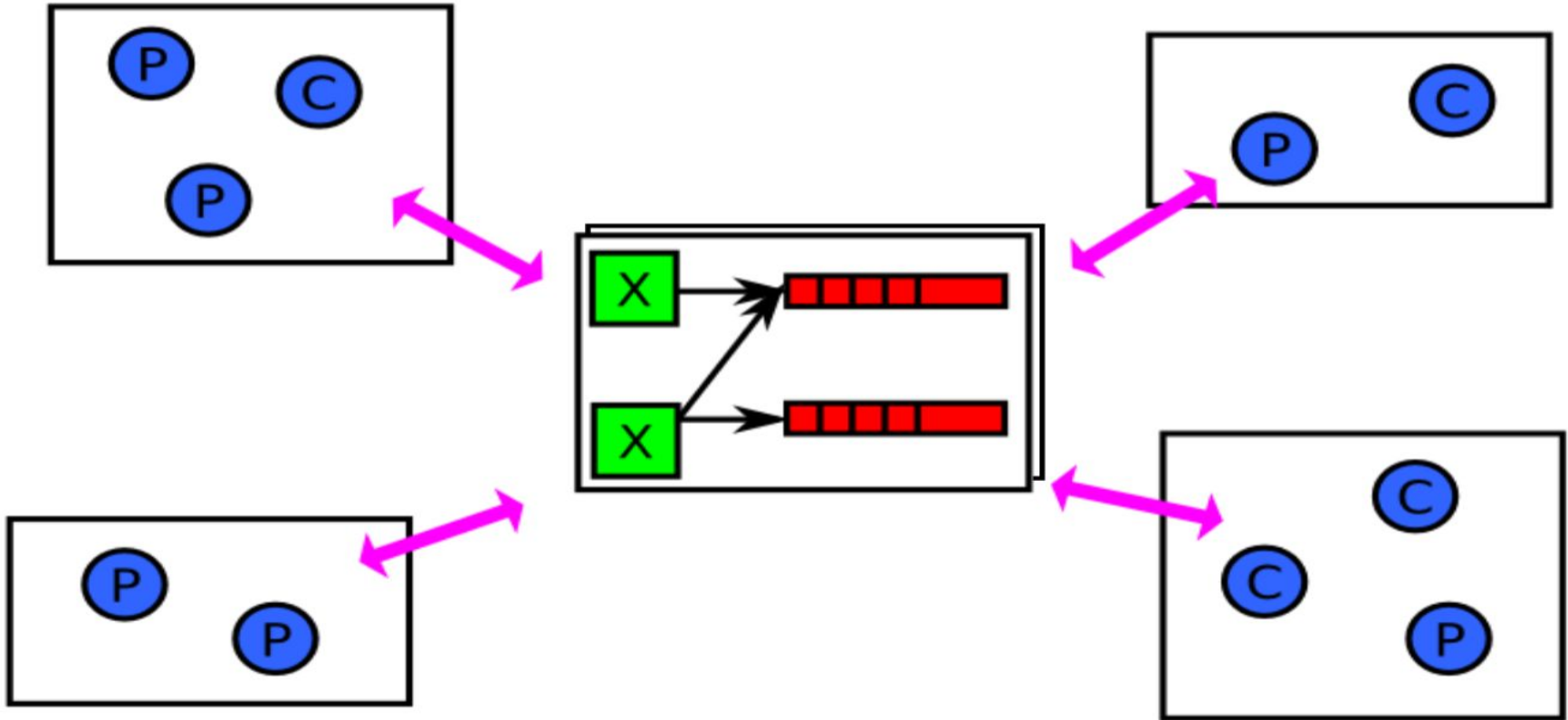
The **Advanced Message Queuing Protocol (AMQP)** is an [open standard application layer](#) protocol for [message-oriented middleware](#). The defining features of AMQP are message orientation, queuing, routing (including point-to-point and [publish-and-subscribe](#)), reliability and security.^[1]

(Wikipedia)

- Open protocol
- How to publish messages - **EXCHANGES**
- Rules to send messages - **BINDINGS**
- Where to send messages - **QUEUES**
- How to deliver messages - **ROUTING**
- How to get messages - **DELIVERY**
- What goes in must come out - **FIDELITY**



AMQP in the cloud



- Made in Erlang
 - Clustering ridiculously easy
 - More crash-resistant

Simulator: <http://tryrabbitmq.com/>

- Fire and forget
- Broker
- Exchanges
- **Producers**
- Messages
 - Payload
 - Label
- **Consumers**

- On every controller
 - **epmd** tcp/4369
 - **beam** tcp/41055, tcp/5673 HTTP 15672
- Kombu is the Python library

```
rabbitmqctl status
```

```
rabbitmqctl cluster_status
```

```
rabbitmqctl report
```

`badrpc , nodedown`

- Generic Erlang
- rabbitmqctl starts an Erlang node
 - cookie
 - node name

`AMQP server on ... is unreachable: [Errno 113] EHOSTUNREACH`

Restart components (i.e. Nova ones)

`Timed out waiting for a reply to message...`

Restart the related service

Split brains

`"partitioned_network|Autoheal"`

like messages in rabbitmq logs

Mnesia issues

Check permissions on the directory, they should be

`rabbitmq:rabbitmq`

```
erl -mnesia dir "/var/lib/rabbitmq/mnesia"
```

```
> mnesia:start().
```

```
> mnesia:info().
```

`pcs resource enable` doesn't start Rabbit

On each controller:

1. Kill the rabbit processes with SIGKILL
2. `OCF_ROOT=/usr/lib/ocf /usr/lib/ocf/resources.d/mirantis/rabbit start`

Try to rejoin manually and discover issues:

1. `vim /var/lib/rabbitmq/mnesia/rabbit\@node-1/cluster_nodes.config`
2. Restart from OCF
3. From the erl shell:
`> mnesia:delete_schema(['rabbit@node-1'])`
4. `rabbitmqctl join_cluster rabbit@node-1`

Q&A&D

You